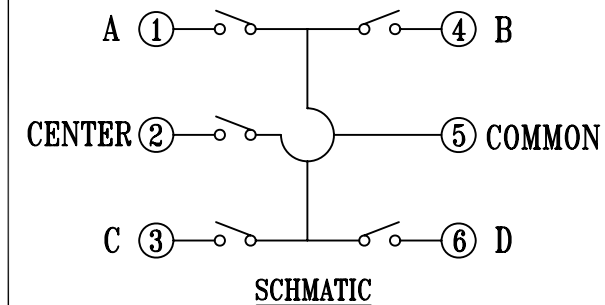
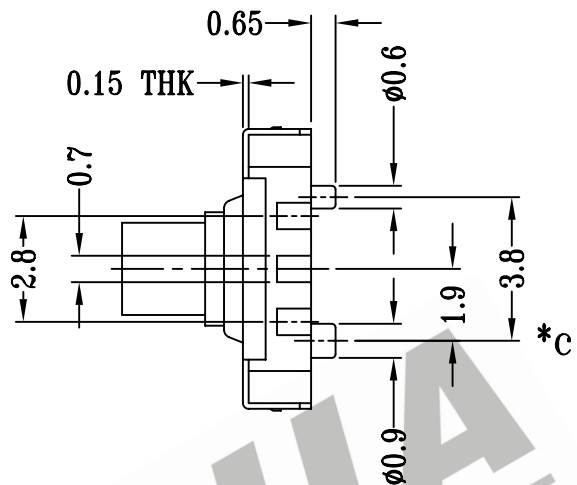
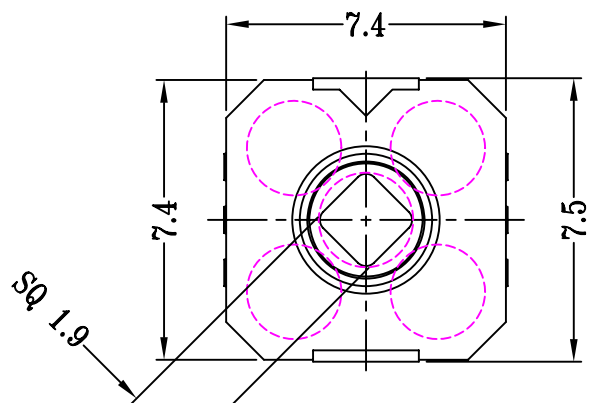
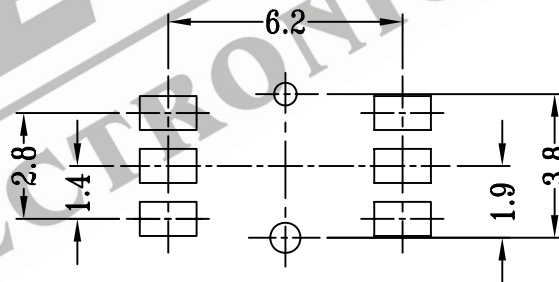
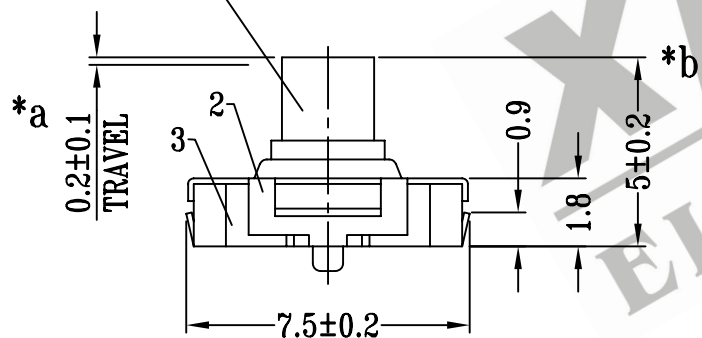


CAD FILE:



0.2±0.1
PUSH TRAVEL



OPERATING FORCE:
CENTRAL:300±100gf
LOCAL:200±50gf

注：“*”表示关键尺寸（3个）

NO.	PARTS	MATERIALS	Q'TY	FINISH	TOLERANCE UNLESS SPECIFIED	SHENZHEN XIEJIA ELECTRONICS CO.,LTD.			
8									
7									
6	CONTACT B	SUS	2	Ag CLAD	WITHIN : 1.5±0.1mm OVER : 1.5±0.2mm	ISSUE	DATE	DESCRIPTIONS OF REVISION	APPD.
5	HOUSING	NYLON+F.G	1	BLACK					
4	CONTACT A	SUS	1	Ag CLAD	TITLE : MULTI FUNVTION SWITCH	UNIT : mm	DRWG NO.: XJ-DR-MT008A-00		
3	COVER	SUS	1	WASHING	MODEL: MT-008A	SCALE: 5:1	DWN.	ZHOUYU	2005-6-30
2	CASE	NYLON+F.G+94V0/BRASS STRIP	1	BLACK/Ag PLATED OVER Ni PLATED	ALL MATERIALS MUST BE COMPLIANT TO ROHS		CHK'D	FANGYING	2005-6-30
1	KNOB	NYLON+F.G	1	BLACK			APPD.	KANGXINAN	2005-6-30